

MasterSeal® 952

PVC washer for fixing tunneling and vertical PVC waterproofing membranes

DESCRIPTION

MasterSeal 952 finishing element for synthetic liners made of polyvinyl chloride; this temporarily supports the waterproof liner during installation.

SCOPE

Tunnel PVC washers are designed to fix, at first, the protection and drainage felt or geocomposite to the primary lining of the tunnel. Once the washers are nailed to the primary lining, it is possible to weld the waterproofing membrane onto them by the means of hot air hand welders.

FIXING

The fixing of the washers is obtained by shooting nails of the necessary type and dimensions

COMPATIBILITY

They are compatible with synthetic waterproofing PVC membranes.

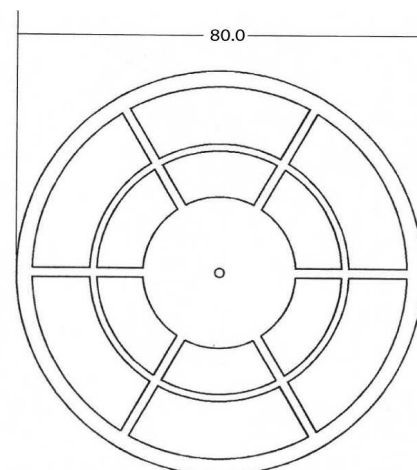
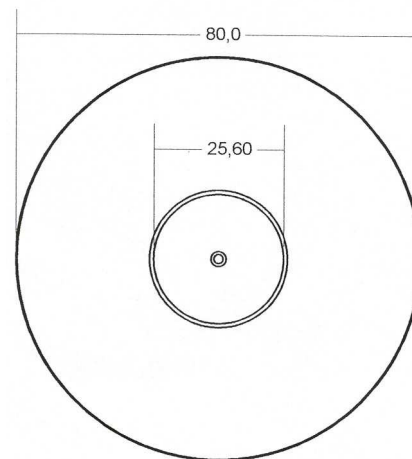
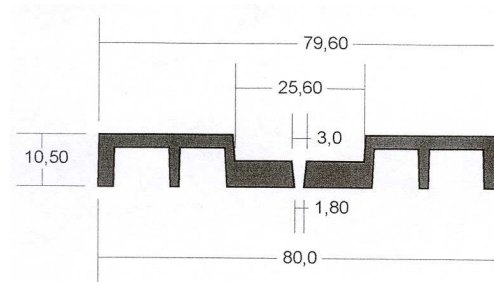
TYPICAL APPLICATIONS

MasterSeal 952 can be used in the following circumstances:

- Vertical fixing of drainage liners and membranes.
- Used for tunneling and underground structures.

ADVANTAGES

- Flexibility to low temperatures
- High mechanical properties and resistance to puncturing
- Excellent weldability
- Long life expectancy



MasterSeal[®] 952

PHYSICAL / MECHANICAL PROPERTIES*

	Specific Weight	Hardness Shore A	Tear Resistance	Elongation at break	Tensile strength	Cold Flex
Test Method	ASTM D792	ASTM D2240	ASTM D624	ASTM D638	ASTM D638	ASTM D1043
Applications: PVC Washer for vertical fixing of membranes	Kg/dm ³	Sh A	KN/m	%	Mpa	°C
	1,29 ± 0.02	65 - 70	41	400	14.1	-41

NOTE

Field service, where provided, does not constitute supervisory responsibility. For additional information contact your local BASF Construction Chemicals representative.

BASF reserves the right to have the true cause of any liability determined by accepted test methods.

QUALITY AND CARE

All products originating from BASF's Dubai, UAE facility are manufactured under a management system independently certified to conform to the requirements of the quality, environmental and occupational Health & Safety standards ISO 9001, ISO 14001 and ISO 45001.

* Properties listed are based on laboratory controlled tests.

® = Registered trademark of the BASF-Group in many countries.

BASF_CC-UAE/SI_952_10_04/v2/09_15

STATEMENT OF RESPONSIBILITY

The technical information and application advice given in this BASF publication are based on the present state of our best scientific and practical knowledge. As the information herein is of a general nature, no assumption can be made as to a product's suitability for a particular use or application and no warranty as to its accuracy, reliability or completeness either expressed or implied is given other than those required by law. The user is responsible for checking the suitability of products for their intended use.

NOTE

Field service where provided does not constitute supervisory responsibility. Suggestions made by BASF either orally or in writing may be followed, modified or rejected by the owner, engineer or contractor since they, and not BASF, are responsible for carrying out procedures appropriate to a specific application.