

# WABO<sup>®</sup>FLEX REJ

## Moulded rubber segmental expansion joint system

### Description

Wabo<sup>®</sup>Flex REJ is a moulded rubber cushion expansion joint designed to accommodate structure movements from 42 mm up to 330 mm. The Wabo<sup>®</sup>Flex REJ system consists of moulded rubber cushions which are steel reinforced. Multiple movement grooves split deck opening into smaller gaps for a smooth transition. Tongue and grooves at the end of each rubber cushion prevent uplift or separation while ensuring a watertight connection.

### Features / Benefits

#### Smooth ride

The Wabo<sup>®</sup>Flex REJ joint system's low profile and minimum open surface exposure prevent debris build-up and allow for a smooth ride. The partial confinement of neoprene reduces deflection under traffic loading.

#### Skid resistant

A completely skid resistant system is achieved with ribbed surface of neoprene rubber cushion.

#### Low stress

Large shear area minimizes the transmission of undesirable forces to the structure.

#### Maintenance free

Self-cleaning drainage channels and long lasting components ensure maintenance free performances.

#### Unitized

Pre-moulded standard sections allow for lane closures and sectional working on repair project.

### Recommended for

- Low height joint sealing restrictions
- Bridges, decks and ramps
- Expansion joint application with maximum movement 330 mm
- New construction or repair and maintenance of existing joints

### \*Physical properties

The rubber compound shall have the physical properties conforming to the following requirements.

Physical properties	ASTM test method	Requirements
Hardness, Type A Durometer	D 2240 modified	65 ± 5 points
Tensile strength	D 412	16.0MPa min.
Elongation @ break	D 412	350 % min.
Ozone Resistance, 70 hrs @ 100 F 20% strain, 100 pphm	D 1149 Method B	No cracks
Oil Swell	ASTM D471	< 10%
Compression Set 22 hrs @ 158 F	D 395 Method B	20 % max

The steel angles embedded in the moulded rubber panels are formed ASTM A36 steel or equivalent.

### Surface preparation

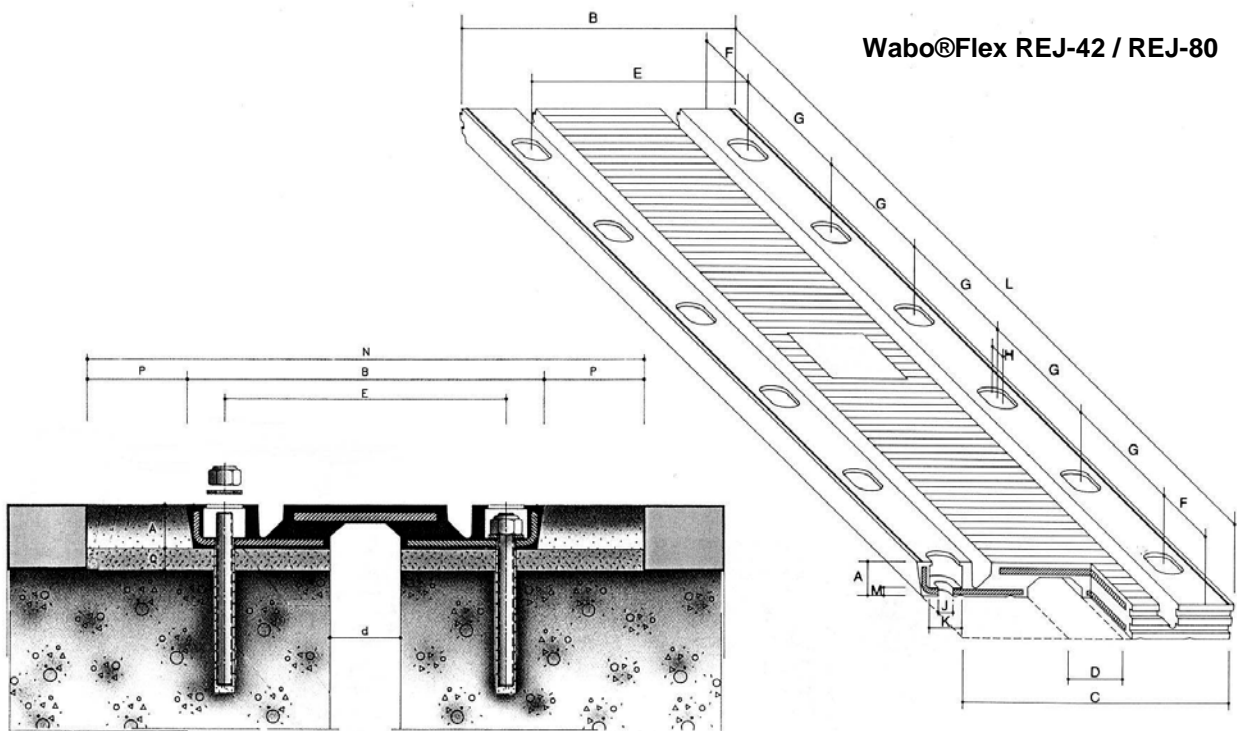
Blockout base must be parallel with plane of riding surface. Sandblast blockout surfaces prior to installation.

# WABO®FLEX REJ

## Limitations

Watson Bowman Acme does NOT recommend the use of Wabo®Flex REJ joint system under the following conditions:

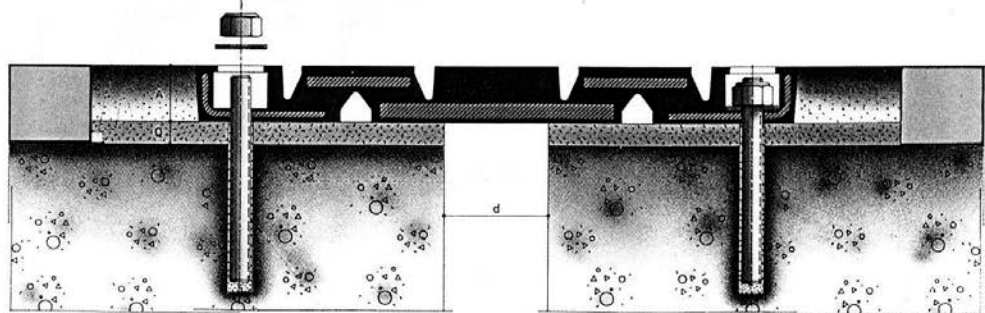
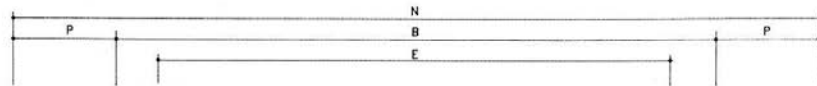
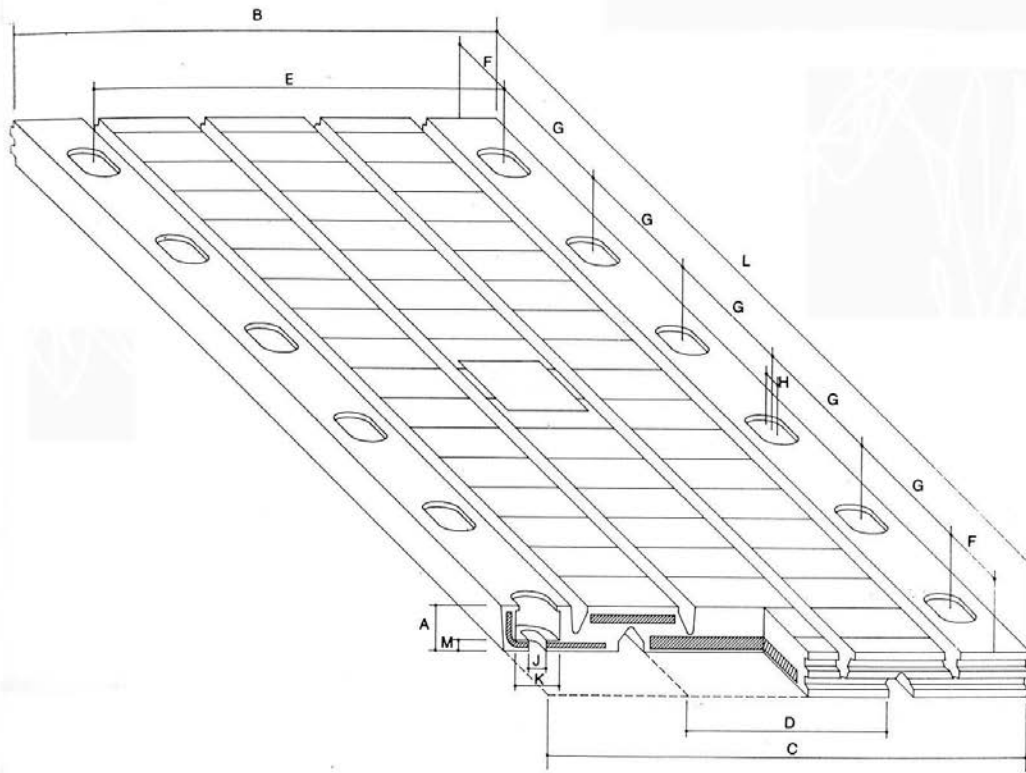
- On joints where movements exceed 330 mm
- The bottom surface of the blockout must be parallel with the plane of the riding surface (true and flat)
- Base of blockout on both sides of gap must be at same elevation



Model	Total Movement	Dimensions (mm)															
		A	B	C	D	d @ Average temperature	E	F	G	H	J	K	L	M	N	P	Q
REJ-42	47 mm	35	240	237	35	35	188	165	334	34	18	36	2000	8	380	70	Var.
REJ-52	57 mm	40	270	262	50	46	210	152	305	34	18	40	1828	8	430	80	Var.
REJ-70	75 mm	45	355	346	70	62	280	152	305	34	18	40	1828	11	535	90	Var.
REJ-80	85 mm	54	430	424	86	74	340	152	305	40	22	57	1828	11	630	100	Var.

# WABO® FLEX REJ

Wabo®Flex REJ-100 / REJ-330



# WABO®FLEX REJ

Model	Total Movement	Dimensions (mm)															
		A	B	C	D	d @ Average temperature	E	F	G	H	J	K	L	M	N	P	Q
REJ-100	105 mm	55	580	572	240	94	494	152	305	40	20	50	1828	11	780	100	Var.
REJ-120	125 mm	60	620	604	270	98	524	152	305	40	20	52	1828	11	820	100	Var.
REJ-140	145 mm	65	650	632	300	105	576	152	305	40	22	54	1828	12	850	100	Var.
REJ-160	165 mm	75	720	702	316	110	612	152	305	40	24	56	1828	13	920	100	Var.
REJ-180	185 mm	85	800	785	336	125	698	152	305	40	26	58	1828	14	1000	100	Var.
REJ-200	205 mm	90	850	830	350	134	744	152	305	40	27	59	1828	15	1050	110	Var.
REJ-230	235 mm	97	900	887	376	145	794	152	305	40	28	60	1828	16	1150	125	Var.
REJ-330	330 mm	129	1208	1194	520	200	1080	152	305	40	32	70	1219	16	1508	150	Var.

## Installation summary

- Prepare blockouts to proper dimensions and grades. Care shall be taken to ensure that all anchors are set at right angles to the bottom of blockout.
- Install Wabo®Flex REJ units starting at the curb.
- Proceed until reaching the field cut piece. Apply sealant to the ends of field cut pieces prior to final placement.
- Retorque all anchors approximately one hours after tightening.
- Fill bolts cavity with sealant and void between Wabo®Flex REJ sections and vertical face.

## Additional Requirements / Equipment

- Torque wrench to tighten anchors
- Pry bar to move or position panel
- Hydraulic ram assembly to adjust system for ambient temperature.

## Note

Field service, where provided, does not constitute supervisory responsibility. For additional information contact your local BASF representative.

BASF reserves the right to have the true cause of any difficulty determined by accepted test methods.

## Quality and care

All products originating from BASF's Dubai, UAE facility are manufactured under a management system independently certified to conform to the requirements of the quality, environmental and occupational health & safety standards ISO 9001, ISO 14001 and OHSAS 18001.

\* Properties listed are based on laboratory controlled tests.

## BASF\_CC-UAE/Wab\_FlexREJ\_06\_01/v1/12\_13

### STATEMENT OF RESPONSIBILITY

The technical information and application advice given in this BASF publication are based on the present state of our best scientific and practical knowledge. As the information herein is of a general nature, no assumption can be made as to a product's suitability for a particular use or application and no warranty as to its accuracy, reliability or completeness either expressed or implied is given other than those required by law. The user is responsible for checking the suitability of products for their intended use.

### NOTE

Field service where provided does not constitute supervisory responsibility. Suggestions made by BASF either orally or in writing may be followed, modified or rejected by the owner, engineer or contractor since they, and not BASF, are responsible for carrying out procedures appropriate to a specific application.