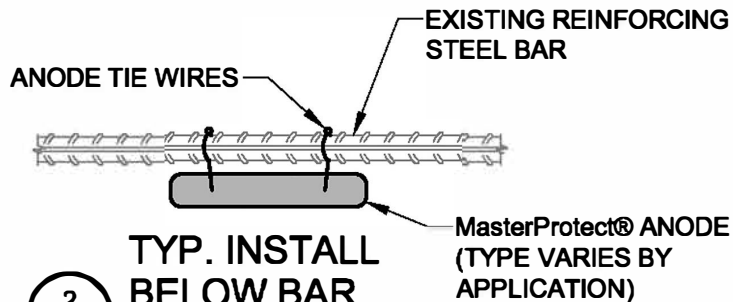


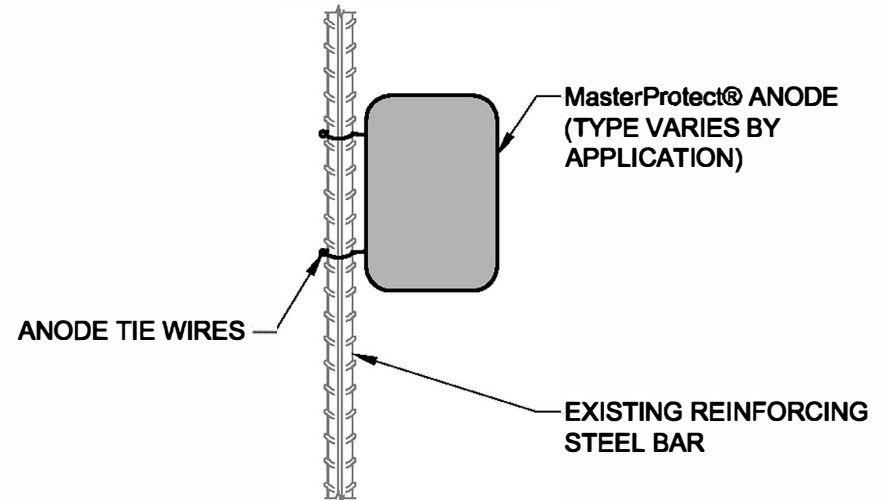
1
B-1065
**TYP. INSTALL AT
BAR INTERSECTION**
SCALE: N.T.S.



2
B-1065
**TYP. INSTALL
BELOW BAR**
SCALE: N.T.S.

NOTES:

1. REMOVE DAMAGED CONCRETE AND PREPARE SURFACE OF EXISTING CONCRETE PER ICRI GUIDELINE NO. 310.1R-2008.
2. COMPLETELY CLEAN THE EXPOSED REINFORCING STEEL OF CORROSION PRODUCT. REPLACE STEEL AS REQUIRED.
3. ENSURE THAT ALL EXPOSED REINFORCING STEEL IS SECURELY FASTENED TOGETHER WITH TIE WIRES TO PROVIDE GOOD ELECTRICAL CONDUCTIVITY.
4. ATTACH MasterProtect® ANODES TO CLEAN REINFORCING STEEL AT AN EVEN SPACING WITHIN THE PATCH AREA. REFER TO BASF DETAILS B-1066 FOR MAXIMUM SPACING GUIDELINES.
5. PLACE NEW CONCRETE REPAIR MORTAR INTO THE REPAIR AREA PER PROJECT REQUIREMENTS. OBSERVE ELECTRICAL RESISTIVITY LIMITS ON REPAIR MORTARS AND BONDING AGENTS USED.



3
B-1065
**TYP. INSTALL
BESIDE BAR**
SCALE: N.T.S.

CURRENT ISSUE DATE: 15 JAN 2014	DRAWN BY: WJG
DATE CREATED: 22 OCT 2009	CHECKED BY: WJG
DRAWING NO: B-1065	

STANDARD DETAIL

MasterProtect® Anodes
TYPICAL INSTALLATION DETAILS

BASF
We create chemistry
BASF Corporation
Construction Systems
889 Valley Park Drive
Shakopee, MN 55379

Customer Service: 800-443-9517
Technical Service: 800-243-6739
www.master-builders-solutions.basf.com



Information provided herein, including but not limited to, any drawing, design, photograph, graphic, or statement(s) ("Materials") are proprietary and the property of BASF Corporation ("Company"). Reproduction, translation, or reduction to any electronic medium or machine readable form, in whole or part, is strictly prohibited, except for the express purpose for which it has been furnished, without prior written consent of Company. All Materials contained herein are provided by Company for informational purposes only. Company reserves the right to amend or withdraw any information contained in the Materials without notice. All technical or other advice by Company, whether verbal or written, concerning products, or the use of products, in specific situations ("Advice") is given by Company and is used at the User's own risk.